

# DC ELECTRICAL SYSTEM

(SIMPLIFIED)

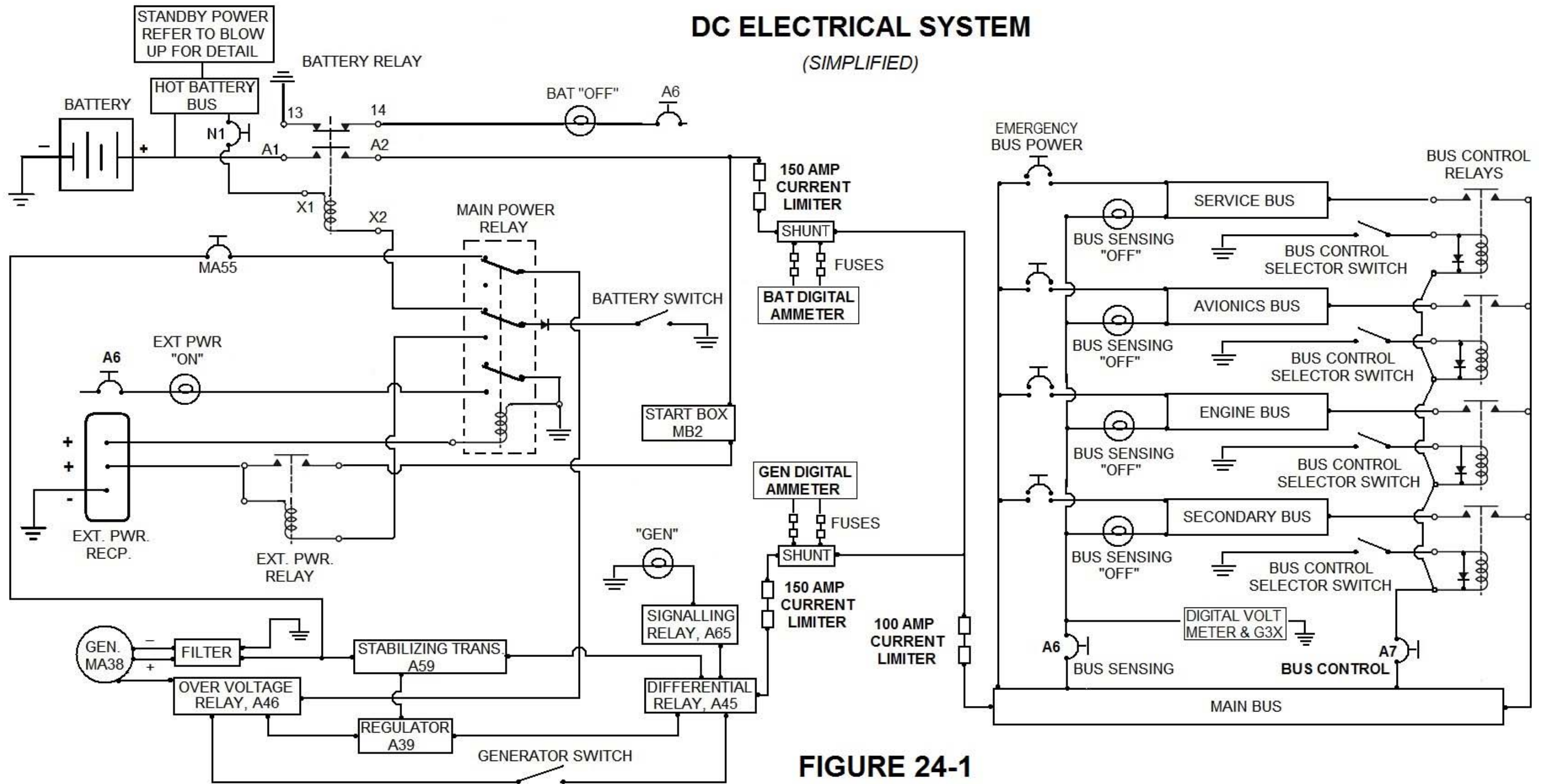


FIGURE 24-1