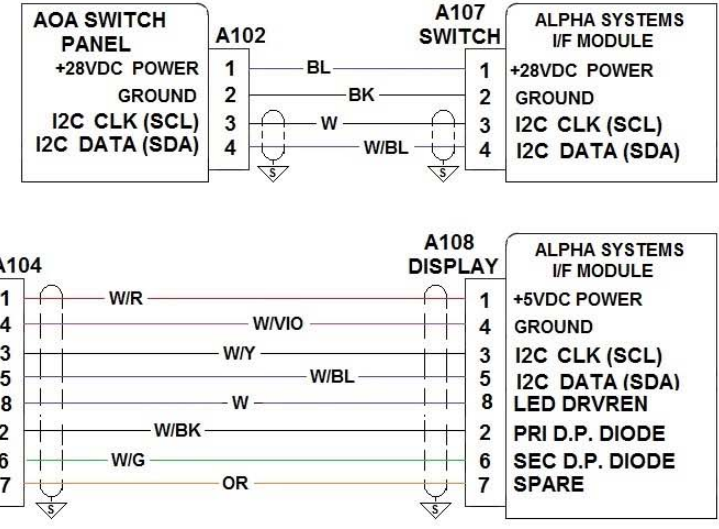
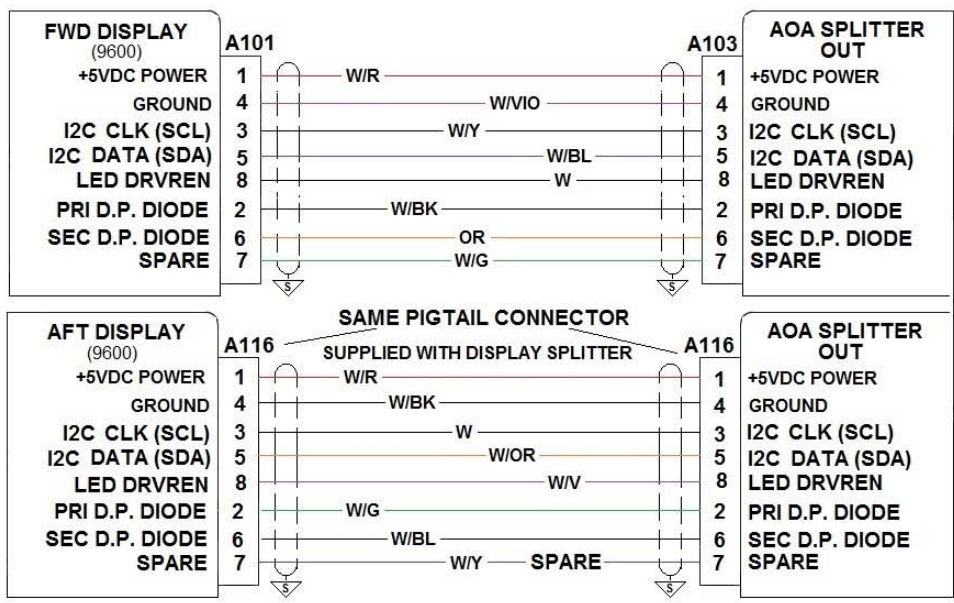
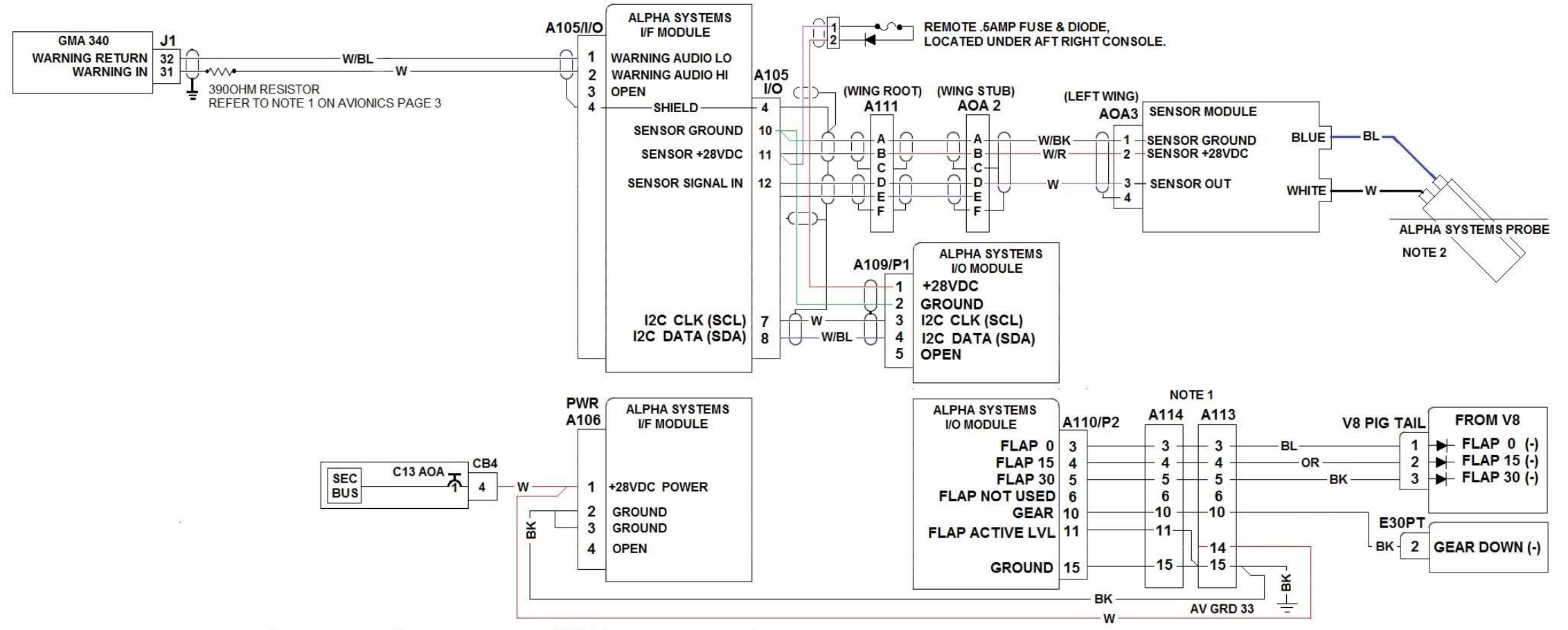


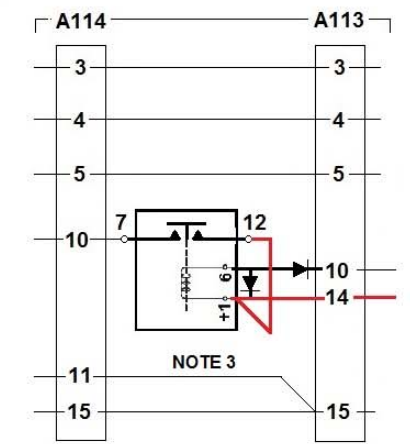
AUDIO VISUAL OUTPUT

PROCESSING & CONTROL

SENSING INPUT



PART NUMBERS:
DIODE = 1N4007
RELAY = DS1E-S-DC24V



- NOTES:**
1) FLAP SIGNALS PASS THRU, LANDING GEAR SIGNAL USES SIGNAL RELAY FOR GEAR DOWN INDICATION.
2) AOA PROBE HEAT IS CIRCUIT D, HEATING
3) PIN 11 IS CONNECTED TO PIN 15 FOR GROUNDING OF FLAP ACTIVE LEVEL.

L29, 591378
2020MAR02
T.W.LINDEE